

LEHNER
LIFTTECHNIK



STRATOS

BENUTZERHANDBUCH



User manual
Platform lift "Stratos"

Version: April 2023

Lehner Lifttechnik GmbH
Salling 8
4724 Neukirchen am Walde
Austria

Tel: +43 7278 3514 15
E-mail: office@lehnerlifttechnik.at
Web: www.lehner-lifttechnik.at



Take a look at
the **user video** of
our platform
stairlifts

CONTENT

1	Introduction	1
2	Attention - safety first	2
2.1	Signs and symbols used	2
2.2	Platform lift operator	3
2.3	User group	3
2.4	Range of application	3
2.5	Qualified workers	3
2.6	Decommissioning	3
2.7	Intended use	4
2.7.1	Safety instructions	4
2.7.2	Use of the platform lift	5
3	Technical equipment	6
3.1	Schematic representation	6
3.2	Technical specifications	8
4	Safety devices	9
4.1	Platform barriers and access ramps	9
4.2	Safety bottom	9
4.3	Lateral contact bars	9
4.4	Overload device	9
4.5	Emergency stop	9
4.6	Alarm button	9
4.7	Overspeed governor and safety gear	9
4.8	Battery charging system	10
4.8.1	The beeper	10
5	Operating elements	11
5.1	The main power switch	11
5.2	Controls on the platform	11
5.1	Radio controlled call stations at the stops	12
6	Operation of the platform	14
6.1	Call the platform	14
6.2	Driving on the platform	14
6.3	Driving with the platform	15
6.4	Leaving the platform	15

7	Troubleshooting	16
7.1	General	16
7.2	Error table	17
7.3	Status messages on the display	18
8	Liberation of a passenger	18
8.1	Platform is located near the landing stop	20
8.2	Platform is not located near the landing stop	21
9	Control and maintenance	22
9.1	Security checks	22
9.2	Cleaning	22
10	Maintenance / inspection	23
10.1	Review	23
10.2	Maintenance instructions	23
10.2.1	Platform controls	23
10.2.2	Mechanics of the platform barriers, the ramps and the platform motor	24
10.2.3	Safety bottom and lateral contact bars	24
10.2.4	Safety gear / Overspeed governor	24
10.2.5	Rails / rack	24
10.2.6	Carriage drive wheels	24
10.2.7	Fastening of the rail and the supports	24
10.2.8	Mechanical switches	24
10.2.9	Gearbox and drive motor	25
10.2.10	Signals	25
10.2.11	Documents / Emergency release key	25
10.3	Lubricants and operating fluids, spare parts	25
10.3.1	Lubricants and operating fluids	25
10.3.2	Spare parts	25
11	Installation and commissioning	26
11.1	Fixing the rail system	26
11.2	Dismantling and disposal	26
12	Declaration of Conformity	27
13	Duties of the platform lift operator	28
14	Requirements for the maintenance company	29
15	Assembly and maintenance records	30

1 INTRODUCTION

We would like to congratulate you on your purchase of a platform lift from Lehner Liftechnik GmbH and welcome you to our large circle of satisfied customers. For more than 30 years, our lifts have been known as reliable means of transport, which are characterised by individual adaptation to structural conditions.

The *Stratos* platform lift represents a new generation of platform lifts with proven technology. The lift has been built according to the currently valid European safety rules.



As with any appliance that works under load and whose parts are in motion, the utmost attention is required. Please read this user manual carefully. Make sure that every user of the lift has read and understood the user manual before using the lift. You will find instructions for operating the unit as well as safety instructions.

Use these instructions to benefit from Lehner Liftechnik's many years of experience in the operation of accessibility lifts. Proper care of the system on your part as well as scheduled maintenance by a competent company will provide you with a reliable lift system over a long period of time.

Lehner Liftechnik GmbH and its authorised partner companies offer you a comprehensive maintenance programme specifically for your installation. Take advantage of the manufacturer's experience to achieve the highest possible efficiency for your lift system.

Keep these operating instructions for future reference.

Lehner Liftechnik GmbH expressly rejects any liability for breakdowns caused by disregard of these instructions, non-compliance with the safety instructions or incorrect handling.

We hope you enjoy using the *Stratos* platform stairlift!

2 ATTENTION - SAFETY FIRST

This manual also contains instructions for emergencies. It must therefore be ensured that this manual is always available at the installation and kept accessible to the operator, lift attendant, rescue and maintenance personnel.

Please carefully observe the following points/regulations.

2.1 Signs and symbols used

The following signs enable you to become aware of important points immediately. This makes it much easier to use the operating instructions.



All passages marked with this sign require special attention. They are notes for smooth operation or important recommendations.



Warning: In the case of text passages with this sign, failure to observe the procedure indicated may lead to dangerous situations, causing personal injury or damage to property. Therefore, read these points with special care.



Text passages with this symbol refer to actions that must not be carried out under any circumstances. Failure to observe this sign will result in immediate increased danger and may cause personal injury or damage to property.

Image

All pictures, photos and drawings used in this manual are symbolic only and may differ from reality.

2.2 Platform lift operator

At least one responsible person must be appointed for each platform lift; this person must be easily reachable during the operating time of the installation. The installation must be maintained in a safe condition. If the system is found to be unsafe, it must be taken out of service immediately; danger zones must be secured. Accidents must be reported immediately to the expert (lift inspector or installation company) or the manufacturer.

The person in charge must make sure on a weekly basis that there are no obviously dangerous operational defects and that the tasks listed in the chapter "Duties of the platform lift operator" are being carried out carefully.

2.3 User group

The platform lift may only be used by competent, qualified and responsible persons who are familiar with the system. The user must be able to assume responsibility for himself and for third parties.

Persons who do not meet these requirements, as well as children, may only be transported by accompanying persons who also assume responsibility for the person being transported.

2.4 Range of application

The platform lift may only be used on stairs or accessible ramps. It is recommended to install the system in predominantly dry rooms. The ambient temperature must not be below $-15\text{ }^{\circ}\text{C}$ or above $+40\text{ }^{\circ}\text{C}$. This type is not suitable for use in unusual locations (e.g. explosive areas, areas with aggressive media, etc.).

Outdoor use is possible in principle, however, in the case of outdoor installations that are exposed to the weather, it may be necessary to clear parts of the installation of ice and snow in winter on a case-by-case basis.

2.5 Qualified workers

Installation, maintenance, repairs and checks must be carried out by qualified persons, preferably by companies authorised by Lehner Liftechnik.

2.6 Decommissioning

When the unit is taken out of service for cleaning, maintenance or repair work, it must be protected against unintentional movement. The key switches on the call stations must be switched off and the keys removed.

2.7 Intended use

Preventive checks and regular maintenance of the unit are highly recommended and will guarantee you long-term, safe operation.

2.7.1 Safety instructions

Observe the following points for correct use:



- The platform lift is designed exclusively for transporting a person in a wheelchair or seated on a seat provided for this purpose.
- Never ride standing on the platform (risk of injury to the head, risk of falling).
- The platform lift is not intended for transporting loads.
- Always lock the platform lift so that it cannot be operated by unauthorised persons (e.g. children playing).
- Adhere to the specified maximum loads and observe the available platform size.
- Observe the instructions attached to the unit.
- The system must be maintained and safety-checked at the prescribed intervals.
- Passers-by going up or down the stairs must avoid any contact with the platform. Platform lift users must always be aware of pedestrians or other obstacles.



- Do not use the platform lift in case of fire! There could be a power failure during the ride and the user would be trapped.
- Never exceed the permissible payload. The payload is indicated on the control panel of the platform.
- Never bring your hands or loose clothing near the track or the backside of the platform when the lift is in motion. Passengers must remain in the wheelchair or seat throughout the ride.
- Do not open the barriers by force.
- Do not disable any safety device by making mechanical or electrical changes to the installation. Without the written consent of Lehner Liftechnik, all types of adjustments and/or modifications to the system are prohibited.
- The platform lift may only be used by one person at a time. Accompanying persons are not allowed on the lift under any circumstances. Otherwise there is a risk of falling.

2.7.2 Use of the platform lift

The platform lift may only be used if it is in technically perfect condition. Any malfunction that could affect safety must be avoided or eliminated.

Report anything unusual to your service technician. Do not use the platform lift in case of irregularities and unusual noises - call the service immediately. All instructions and directions from experts, fitters and service personnel must be followed.



Before activating the up or down command, make sure that no one is endangered by the movement of the system. Always look in the direction of travel!

It must always be ensured that an instructed person is available next to the user. In order to ensure the rescue of persons in case of emergency (e.g. technical defect), the user must be able to reach this person easily. If an emergency call system is installed to summon help, it must be checked regularly, but at least once a week, to ensure that it is functioning properly. If external help is summoned (e.g. by telephone), an access facility must be provided for the summoned help personnel."

The transport of goods is only permitted if sufficient stability is ensured so that they cannot slip or fall over.

Also, keep the keys in a safe place and do not give them to unauthorised persons. Do not leave the keys on the platform or at the call stations when the lift is not in use.



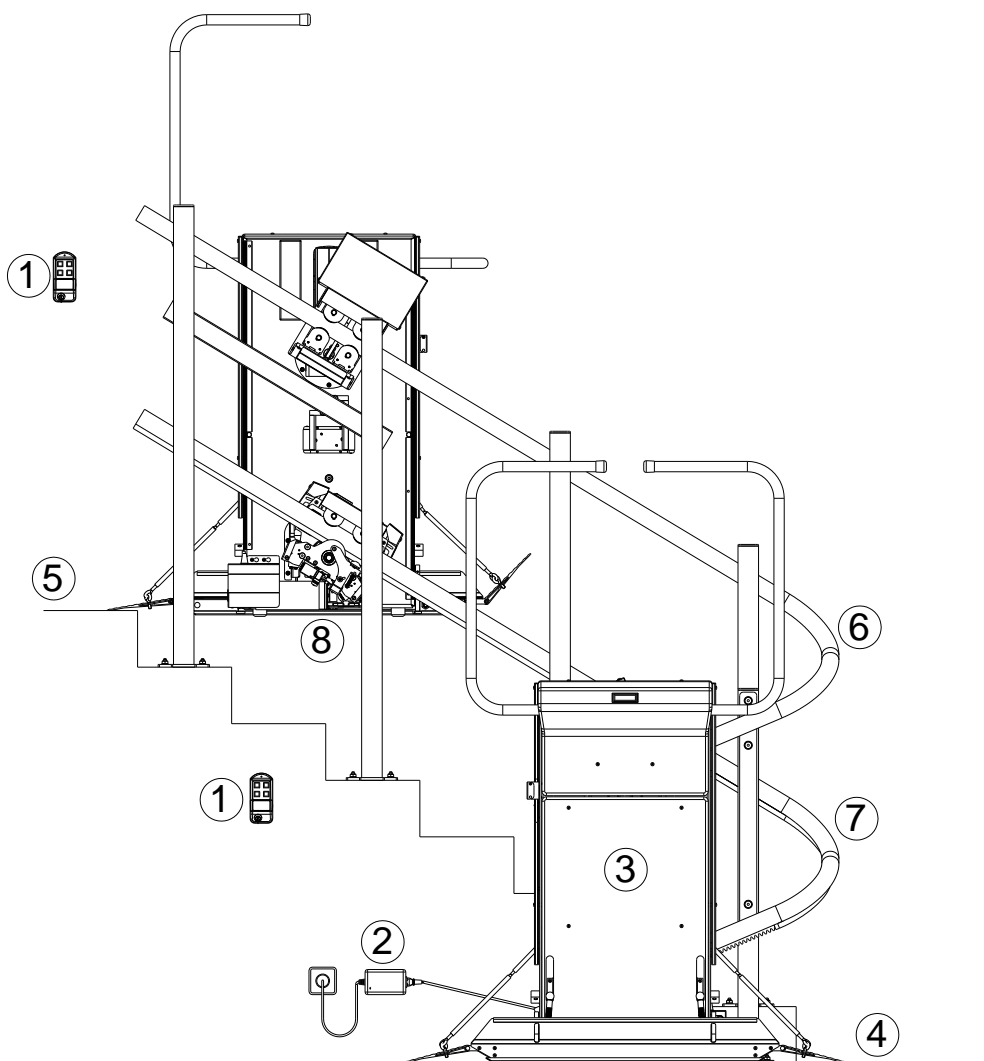
In the **user video of our platform stairlifts** we show you the correct use of your lift.

3 TECHNICAL EQUIPMENT

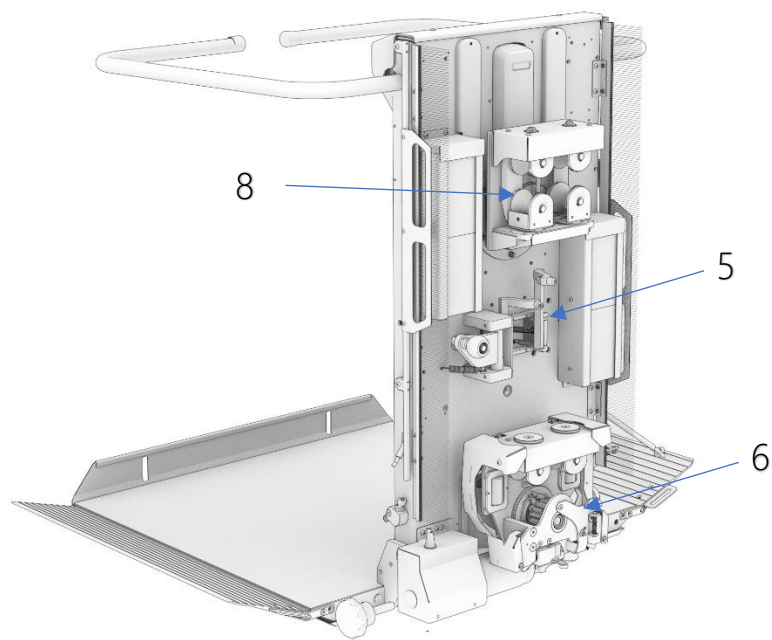
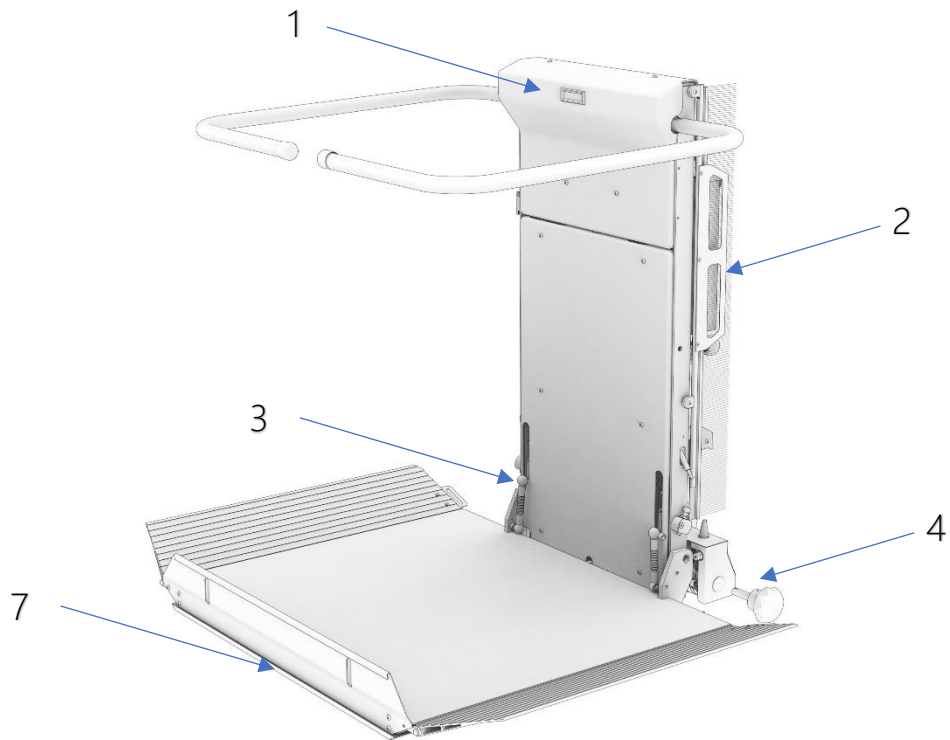
The Stratos platform lift was developed for transporting wheelchair users. It is driven with the help of a rack on the bottom rail. The lift is powered by 2 x 12 V batteries that are charged at the stops (as long as the power supply unit is powered).

The standard version is supplied with an automatically folding platform and aluminium rails. The lift can be operated from 2 radio remote controls in the stops and from the control on the platform.

3.1 Schematic representation



- | | | | |
|----|-------------------|----|---------------------------------|
| 1. | Call stations | 5. | Upper stop |
| 2. | Charger | 6. | Upper rail |
| 3. | Platform sidewall | 7. | Lower rail |
| 4. | Lower stop | 8. | Lower carriage with safety gear |



- | | | | |
|----|---------------------|----|-------------------------------------|
| 1. | Display | 5. | Lever for unlocking of the barriers |
| 2. | Lateral contact bar | 6. | Lower carriage with safety gear |
| 3. | Connecting rods | 7. | Safety bottom |
| 4. | Emergency handwheel | 8. | Upper carriage |

3.2 Technical specifications

Driving distance	Gradients 0...47° Length up to 35 m
Driving speed	approx. 0.1 m/s
Drive power	0.5 kW
Voltage	24 V DC 1 x 230 V for charger
Drive arrangement	On the backside of the platform
Site	Inside or outside
Permissible temperatures	+45 °C to -15 °C
Platform version	Wheelchair platform Optionally with folding seat
Platform size	Standard 700 x 750 mm Standard 750 x 850 mm Standard 800 x 900 mm Standard 800 x 1000 mm Special sizes optional
Load capacity	Standard 225 kg Optional 300 kg
Surface finish of the platform	Powder-coated in RAL 7035 Stainless steel covers Special RAL colours as option
Rails	Powder coated steel Optionally made of stainless steel
Volume	< 60 dB (A)
Certificates	TÜV according to EN 81-40

In some situations, it is necessary to make a special adjustment to the platform lift, which may change the above specifications.

4 SAFETY DEVICES

The *Stratos* platform lift is equipped with the following safety devices:

4.1 Platform barriers and access ramps

The barriers and access ramps, which must be closed (horizontally) or folded down during the journey, prevent the vehicle from falling in the longitudinal direction. These always open automatically at the stops if the travel command is held down.

4.2 Safety bottom

The safety bottom is attached to the underside of the platform on platform lifts and serves as an additional safety feature. It reacts to pressure so that the system stops immediately if the safety bottom hits an obstacle. The travel command in the upward direction remains active.

4.3 Lateral contact bars

Lateral contact bars are fitted to the side of the platform side wall to prevent jamming in the direction of travel. The travel command in the opposite direction remains active.

4.4 Overload device

The platform is equipped with an overload device. If the load capacity specified on the type plate is exceeded by more than 25%, an overload switch switches off the system, an acoustic signal sounds and the overload status is indicated on the display. In this condition it is not possible to drive off.



The platform must never be overloaded. If an overload is signalled, the loading must be reduced immediately.

4.5 Emergency stop

The platform lift is equipped with an emergency stop button. If you need to stop the platform in an emergency, press the red button and the lift stops. Unlocking is done by pressing it again or turning it clockwise.

4.6 Alarm button

The platform is equipped with an alarm button to summon help. By pressing the alarm button, a loud emergency signal sounds.

4.7 Overspeed governor and safety gear

The platform lift is equipped with an overspeed governor with a safety gear. If the platform moves downwards at increased speed (e.g. due to a defect or similar), the increased speed is immediately detected by the overspeed governor and the safety gear is triggered. The safety gear brings the platform to a standstill by holding it on the rails. This prevents the platform from falling.

4.8 Battery charging system

The drive motor of your platform lift is powered by batteries which are charged by a charger. Charging takes place at each stop via charging contacts. When the lift is not in use, it is therefore necessary to always park the lift in the stop positions.

To prevent accidental parking outside a loading station, an acoustic signal has been installed in the stairlift.

4.8.1 The beeper



If the stairlift platform does not park exactly on the loading station after use, the lift will give a short beep every second after 5 seconds. Then please move the lift to a stop (where it will also stop automatically) and the beep will stop.



If the platform parks correctly in the charging point and the lift starts to beep briefly every second, this means that the charging of the batteries has been interrupted. Turn off the main switch of the platform (the lift will stop beeping) and check if there is a power failure in your building or if the fuse or RCD in the stairlift power supply circuit is not in order. Replace the fuse or switch on the RCD and then the main power switch. If the lift continues to beep, please call the service department, it could be that the battery charger is faulty.



If the battery voltage of the lift becomes too low, a long beep sounds every 2.5 seconds while the lift is travelling. Drive the vehicle to the charging station, where the batteries will recharge. If the lift beeps while driving even after charging the batteries, the batteries are defective. The batteries must now be replaced by the service company. If the stairlift continues to operate despite weak batteries, the control system of the stairlift is programmed in such a way that the platform will reach the lower landing with the remaining battery voltage.

5 OPERATING ELEMENTS

5.1 The main power switch

The main power switch connects the system to the mains.

This is located on the side of the platform side wall.

The main power switch must be switched on so that the system can be operated. With this switch, the power can be switched off on the entire system and the control unit.



5.2 Controls on the platform

The platform is equipped with a handset on a spiral cable as standard. This allows an ergonomic sitting position while operating the platform.

The handset contains the directional driving buttons, an emergency stop and an audio alarm button. The handset is only used to drive the open platform and to open and close the barriers in the landings.

Alternatively, or additionally, controls can also be mounted on the top of the platform side wall.

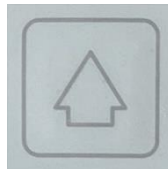


5.1 Radio controlled call stations at the stops

Remote call stations must be located at each stop. The remote control must be activated with the key switch before operation.

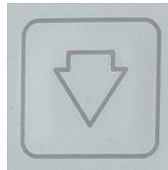
The call stations are used for calling and sending, as well as for opening and closing the platform.

A green light flashes when the radio signal is working. The radio remote controls are powered by 2 x AAA (1.5V) batteries as standard. The battery life is approx. 1 year.



Drive UP

Only when closed can the platform be sent upwards.



Drive DOWN

Only when closed can the platform be sent down.



OPEN the platform

This command only works when the platform is in the landing.



CLOSE the platform

This command also works when the platform is outside the landing.

The status of the radio remote control can be read from the LED:

LED light	Description
Green glow	Radio connection available and drive command active
Orange glow	Radio connection present and lift does not move Possible reasons: <ul style="list-style-type: none">▪ e.g.: The lift is already at the top landing when the Up button is pressed.▪ Safety circuit is interrupted
Red glow	Radio connection available, but the lift is busy. Lift is operated from the platform or from another call station.
Green flashing	Radio transmitter has been successfully registered with the receiver
Orange flashing	Radio connection interrupted
Red flashing	The battery of the radio transmitter is weak and should be replaced.

6 OPERATION OF THE PLATFORM

The *Stratos* platform lift is safe and easy to use. The operation is designed for a user with walking difficulties.



Before moving the platform, make sure that nobody is endangered by the movement of the platform. If a dangerous situation arises while the platform is moving, stop the platform immediately by releasing the command button!

6.1 Call the platform

The platform is equipped with call stations with which the lift can be brought up and sent, and the platform can be folded up and down. The call stations are located in the area of the stops.

If the platform is not at the stop you are at, it can be called from the radio remote control, provided it is folded up:

- **Switch on the call station by** inserting and turning the key. The green lamp now flashes.
- **Press the move command button "Up" or "Down"**. The platform moves in the corresponding direction as long as the button remains pressed. If you release the button during travel, the platform stops immediately.
- **The platform stops** independently at the stops.
- **To climb up, the platform is folded down by** pressing the "Open" button on the call station. The button is held until the platform is horizontal and the barrier has opened completely.
- **Switch the call station off again** by turning the key to the "OFF" position and removing it.



The lift can only be controlled from the stops when the platform is folded up.



At an intermediate stop, the platform stops automatically. Now you can either open the platform or drive to another stop by giving another drive command.

6.2 Driving on the platform

If the platform and the barrier are open as described in the previous point, the platform can be driven on. The wheelchair must be braked before driving on the platform.



Always look in the direction of travel while driving and brake the wheelchair!

6.3 Driving with the platform

On the platform there is the drive command button on the handset, as well as an audio alarm and an emergency stop button.



The wheelchair must be secured against rolling off the platform by a parking brake or, in the case of electric wheelchairs, by equivalent measures (e.g. switching off)! Hold on to the handrail!

As soon as you press the desired driving direction with the drive command button, the barrier closes automatically, and the access ramp swings up. After the barrier is closed and locked, the platform moves in the desired direction.

Hold the drive command button until you reach the desired stop.

The platform stops automatically at the stops and the folding barrier is opened if the drive command button remains pressed.



At an intermediate stop, the platform stops automatically. If you keep the travel command pressed, the barriers open. If you release the travel command and press it again, the platform travels to the next stop without opening the barriers.

If you release the drive command button while driving, the platform stops immediately. If the platform does not stop when the drive command button is released, an emergency stop (red button) has been installed for additional safety. If this emergency stop is pressed, the system stops immediately. The emergency stop button is unlocked again by pressing it again or turning it clockwise.

6.4 Leaving the platform

The lift stops automatically at the desired stop. By constantly pressing the drive command button, the barrier opens, and the access ramp lowers. When the barrier is fully open, the drive command button must be released.

You can now leave the platform.

After leaving the platform, you must activate the call station in your landing by inserting and turning the key. Press the control button "Close" until the platform and the barriers are completely folded. Switch the call station off again by turning the key to the "OFF" position and removing it.



The platform must be folded to release the lift for other users. Thus, the call stations become active again and the lift can be sent or called to a desired location.



To prevent unauthorised use of the lift, you should always remove the key in the call stations after using the lift.

7 TROUBLESHOOTING

7.1 General

For safety reasons, your *Stratos* platform lift is fitted with a number of electrical and mechanical interlocks and touch sensitive edges. If any of these devices are not in order or any component or sequence is not working correctly, the unit will not operate. In the event of a breakdown, you can independently check your system for faults with the support of the points listed below or contact the service personnel. Under no circumstances may you manipulate, modify, or remove the safety devices of the system.

In the event of a malfunction, the following instructions must be worked through completely, point by point. Do not skip any step!

Before you start, consider the following points:

- Visually inspect the entire installation for damage, deformations, etc.
- Check that the system is switched on. If your lift beeps while driving or in the stop position, please read the description of the beeper in the chapter "Battery charging system".
- Please ensure that the lift cannot be operated from the call stations while the platform is folded down or someone is operating the system from the platform.
- Check whether the main switch of the platform, which is located on the left side of the platform, is switched on. The green lamp on the switch must now light up!
- Check whether the batteries (if any) in the call stations are empty and have them replaced with new ones if necessary.
- Also note that the first call station to be activated by a command signal takes control of the lift (provided that no one operates the controls on the platform), so no other call stations can be used until that command signal is deactivated.
- When calling for service, please have the system number to hand. This is located on the type plate on the front side of the stairlift and is marked with the serial number "LE xxxx". This number is the quickest way to identify your lift and provide you with efficient information.

7.2 Error table

Error	Cause	Remedy
The platform does not work at all.	Batteries are empty.	Supply power to the charger.
	Main power switch is turned off.	Switch on the main switch.
	Key switch on the radio remote control is turned off.	Switch on the key switch.
	Emergency stop button is actuated.	Unlock the button by pressing it again and turning it clockwise.
	Platform is not completely closed.	Close platform.
	Platform moved against mechanical resistance.	Remove obstacle by driving in opposite direction.
Platform does not reach the intended height.	The bypass switch of the barrier release is not set correctly.	Have the switch reset by the service company.
Platform does not move upwards.	The lateral contact bar on the platform side wall or the access ramp is actuated.	Clear the contact bar or ramp by moving down and removing the object.
Platform does not move down.	The safety bottom under the platform is blocked / activated.	Clear the safety bottom by driving up and removing the object.
A barrier does not open	The platform does not reach the stop completely.	Have the switch reset by the service company. Check whether the contact bar/safety bottom is activated.

7.3 Status messages on the display

Display	Cause	Remedy
UP SENS. PAD SI: S12/13,EKL/R	The drive upwards is prevented by the pressed contact bar or the upper access ramp.	Drive down possible, remove obstacle and check contact bar or access ramp for ease of movement.
DOWN SENS. PAD SI: S12/13,EKL/R	The drive downwards is prevented by the pressed contact bar or the pressed lower access ramp.	Drive upwards possible, remove obstacle and check contact bars or access ramp for ease of movement.
SENSITIVE BOTTOM SI: S17	The descent is prevented by the pressed safety bottom, i.e. the ascent must still be possible.	Drive up possible, remove obstacle and check safety bottom for ease of movement.
PLATF. NOT CLOSED SI: S11X	Occurs when driving with the call stations and the platform is not completely folded down.	Close the platform completely with the call stations.
PLATF/BAR F. POS SI: S11X	Occurs when driving with the handset control and the platform is not fully opened.	Close the platform completely with the call station, then move the platform to the upper or lower landing, open the platform completely with the call station.
PLATF. UNDEF.POS SI: S11X undef.	Occurs when the platform is neither fully open nor fully closed.	Close the platform completely with the call station, then move the platform to the upper or lower landing, open the platform completely with the call station.
BARR. NOT CLOSED SI: S11X	Occurs when a barrier bar is not in the horizontal position when the platform is open.	Check that the upper and lower barriers are firmly in place and, if necessary, push them down until they lock into place.
IN UPPER STATION SI: S27, A-S11U	Displayed when the barriers are already fully open in upper stop.	Drive command down by means of handset control.
IN LOWER STATION SI: S28, A-S11U	Displayed when the barriers are already fully open in lower stop.	Drive command upwards by means of handset control.

CURRENT LIMIT ACT1 - PLATFORM	Occurs when the servomotor draws too much current during folding or there is something on the platform during the folding process.	Close the platform completely with the call station and open it again at the landing.
IN UPPER / LOWER STATION S27 / S28	The platform can no longer be moved because it is already in a landing stop.	
LIFT IS NOT IN THE STATION	Displayed when you want to unfold the platform even though the lift is not in any landing.	Move the platform completely into the upper or lower landing position.
EMERGENCY STOP SI: S7X	Travel is prevented by the emergency stop on the handset control.	Unlock the button by turning it clockwise.
OVERLOAD LIFT SI: SU	The max. load capacity has been reached.	Reduce weight on the platform.
EMPTY BATTERY STOP UP	The battery is empty.	Move the platform to the lower stop and charge the platform.
BARRIER UNBLOCK SI: S14,15,16	The stop is not set correctly.	Use the emergency hand wheel to move the platform out of the landing, then contact your service company.

8 LIBERATION OF A PASSENGER

If the occupied platform remains stuck somewhere between the landing positions and all the above points have been checked, the passenger can be freed by a person instructed for this purpose.



Passenger rescue may only be carried out by instructed persons. Switch off the main power switch.

8.1 Platform is located near the landing stop

If the platform is just before a stop, it can be moved over a short distance with the handwheel. To do this, place the handwheel in the opening provided and press the brake lever. Now turn the handwheel while keeping the brake lever pressed.

The direction of rotation is indicated on the handwheel. Always turn in the direction in which the desired destination is reached most quickly. Turn the handwheel until the platform stops at the landing.

At the stop, the barrier bar can be opened (lifted) manually, and the wheelchair user can now leave the platform.



8.2 Platform is not located near the landing stop



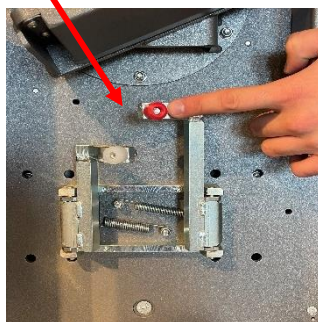
Two people are necessary, one of whom must be instructed! If only one person can come to the rescue, the platform must be cranked to the next stop.

If the platform is not near a stop, the barriers can be unlocked mechanically. Please note that only the barrier on the uphill side may be opened. If the barrier on the downhill side were to be unlocked, there would be a risk of falling.

In order to unlock the uphill barrier outside the stop, a lever must be pressed at the back of the platform side wall, approximately in the middle of the two rails. The position of the lever can be seen in the illustrations below. This lever, marked in red, must be held down to open the barrier with a slight push. The wheelchair user can now be lifted off the platform. This must always be done in the upward direction on the stairs.



It is essential to press the lever marked **RED**; this ensures that the barrier on the uphill side is unlocked.



9 CONTROL AND MAINTENANCE

9.1 Security checks

Check the following points regularly, but at least daily:

- The lift must not start as long as the ramps or barriers are open. During travel, the barriers must be closed and the ramps folded up.
- If a raised access ramp hits an obstacle, the lift must stop immediately. The connecting linkage between the sidewall and the access ramps must be in perfect condition (securely screwed on, no rope breakage).
- The barriers must not be open while driving (test in the middle of the travel).
- The platform must stop when reaching the stops.
- When releasing the travel command button, the platform must stop without a longer overrun.
- The emergency stop button must shut down the entire system when pressed.
- If an emergency call is available, it must always work.

9.2 Cleaning

Clean the unit at regular intervals to remove dust and dirt. Please observe the following points:

- For safety reasons, the lift must always be taken out of operation before cleaning.
- Never use cleaning agents that require special ventilation.
- Do not use aggressive cleaning agents to clean plastic-coated or painted surfaces.
- Stainless steel surfaces should be treated with a commercially available cleaning agent (stainless steel care spray, slightly greasing), do not use scouring powder.
- The push buttons must never be treated with cleaning sprays or the like (sticking of the buttons is possible!). The floor should be wiped with a damp dust rag.
- Avoid wetness, especially with the operating elements (no splashing water).
- Further maintenance work may only be carried out by authorised partner companies.

10 MAINTENANCE / INSPECTION

To ensure safe and trouble-free operation of your platform over a long period of time, regular professional maintenance, care and cleaning on the one hand and regular safety checks on the other hand are absolutely necessary. Good maintenance and care significantly increase the service life and offers users the highest possible level of safety.

Maintenance of your platform lift is **absolutely** necessary. The prescribed maintenance intervals are as follows (even with low use):

- 1. maintenance approx. 6 months after commissioning
- All other maintenance at least once a year
- Depending on local conditions and in case of frequent use we recommend shorter maintenance intervals

We recommend that you make a technical maintenance contract with your installation company. You will receive a maintenance offer for your platform lift that is specifically adapted to the type of use of your platform and your needs.

10.1 Review



Please ask your installation company whether the platform lift has to be inspected by a lift expert after installation. These inspections must be documented in an inspection book.

10.2 Maintenance instructions

At each maintenance, the rectified defects are to be entered in the maintenance book. Any faults or indications of faults must be discussed with the operator of the lift system. Each maintenance must be recorded in the maintenance book with date and signature.

Carefully check the fastening of the bolted connections of the entire installation to the stairs. Carefully check any fastenings holding the parts of the installation together - tighten every nut, bolt and screw.

Check smooth ascent and descent along the entire length of the installation, as well as stopping at the end stations several times. This is to be checked from the call stations as well as from the platform and when fully loaded.

Check the following points in detail:

10.2.1 Platform controls

- Main switch (ON/OFF) on the side of the platform sidewall
- Emergency stop on the platform
- Up and down on the call stations
- Up and down operation on the platform handset
- Call stations key switch

10.2.2 Mechanics of the platform barriers, the ramps and the platform motor

- Remove the side panel cover and check all mechanical parts for smooth running. If necessary, apply a thin film of lubricant.
- For each barrier and ramp, the setting and function of the mechanical interlock and its contact switch must be checked.
- Also check the ease of movement and the fastening of the platform motor, the ramps and the barrier mechanism.

10.2.3 Safety bottom and lateral contact bars

- Check correct stopping when actuated and travel in the opposite direction when activating the safety bottom (travel OPEN) or the lateral contact bars.

10.2.4 Safety gear / Overspeed governor

- Carefully check the safety gear and its connecting elements for ease of movement and secure anchoring.
- Ensure correct setting
- Test the engagement of the safety gear at least once a year.

10.2.5 Rails / rack

- Visual inspection of the rack and track for wear or damage.
- Grounding the rail system

10.2.6 Carriage drive wheels

- Visual inspection for wear and control of the play
- Checking the roller guides for bearing noise and wear

10.2.7 Fastening of the rail and the supports

- Check fixings to wall/floor/ceiling and check fixings between pipes and supports. Tighten loose bolts and screws.
- Check the connecting screws between the track parts for tightness.

10.2.8 Mechanical switches

- Check all mechanical switches (position switches of the platform mechanism, limit switches in the stops, emergency limit switches up and down, catch switches, etc...) for their function and sufficient play of the rollers.
- Check mechanical switches for function (test faulty switching)
- Check all fastening and actuating elements of the forced switches for secure hold.

10.2.9 Gearbox and drive motor

- Checking the wear of the drive gear on the drive
- Checking the adjustment and wear of the brake (holding accuracy, ease of play)
- Check engine mounting for firm anchorage
- Check for unusual noises and vibrations
- Check the function of the emergency handwheel crank. Note that the engine brake must be opened manually.

10.2.10 Signals

- Audible alarm (yellow alarm button on the trolley)
- Acoustic signal for battery charge levels
- Visual signal (if available)
- If available - check the voice connection to the rescue personnel.

10.2.11 Documents / Emergency release key

- Are all technical documents available (circuit diagrams, setting instructions, user instructions, etc.)?
- Is there an emergency handwheel

10.3 Lubricants and operating fluids, spare parts

10.3.1 Lubricants and operating fluids

- Rails - Lubrication of the guide rails is not necessary
- Impellers - Lubrication of the impellers is not required
- Joints - Joints and sliding surfaces must be lubricated with engine oil or with suitable greases.
- Preservative - The chains can be treated with a preservative to protect them from corrosion
- Cleaning agents - Do not use aggressive cleaning agents to clean plastic-coated or painted surfaces.

10.3.2 Spare parts

Only original spare parts from Lehner Lifttechnik may be used, as this is the only way to guarantee safety and functionality. If other products are used, the declaration of conformity loses its validity.

11 INSTALLATION AND COMMISSIONING

The system may only be set up and commissioned by a partner company trained by Lehner Liftechnik GmbH. When setting up the lift, it must be ensured that no impacts or vibrations from neighbouring machines influence the system. This could affect the electronics or the precision mechanics of the lift. The load-bearing capacity must be checked based on the support load per unit area and the resulting force distribution on the wall by a state-certified structural engineer.

11.1 Fixing the rail system

The detailed installation drawing for your system is in the box supplied with the lift. This box also contains the charger and the corresponding controls (radio call stations, handset control). For more detailed information on installation, please refer to the installation instructions.

If you have any problems or questions, contact your Lehner Liftechnik partner or customer service. Installation work on the entire system may only be carried out by the manufacturer or its authorised partner companies. Failure to do so will invalidate the warranty permit and will result in exclusion of liability for consequential damage of any kind.

11.2 Dismantling and disposal

Dismantling work on the entire system may only be carried out by the manufacturer or its authorised partner companies. The exclusion of liability for consequential damage of any kind is effected.

According to the European Directive 2002/96/EC on waste electrical and electronic equipment and its implementation in national law, used electrical equipment must be collected separately and recycled in an environmentally sound manner.

12 DECLARATION OF CONFORMITY



The manufacturer: Lehner Lifttechnik GmbH
Salling 8
4724 Neukirchen am Walde, Austria

hereby declares under its sole responsibility that the machine described below:

Designation: Platform stair lift for persons with reduced mobility
Type and trade name: **Stratos**

whose data are described in the user manual, complies with European directives by having all the necessary safety features and thus eliminating risks as far as possible.

Applied European directives:

2006/42/EC (Machinery Directive), 2014/35/EU (Low Voltage Directive),
2014/30/EU (EMC Directive), 2014/53/EU (Radio Equipment Directive)

Applied standards:

EN ISO 12100:2010	Safety of machinery
EN ISO 13850:2015	Safety of machinery - Emergency stop - Principles for design
EN 60204-1:2019	Safety of machinery - Electrical equipment of machines
EN 300 220-1	Radio systems with short range
EN 301 489-1	Electromagnetic compatibility for radio equipment and services
EN 81:40:2020	Safety rules for the construction and installation of lifts - Special lifts for the transport of persons and goods - Part 40: Stairlifts and inclined lifting platforms intended for persons with impaired mobility (Type certificate TÜV Süd No. 14.736.689)

For the product as delivered from the factory.

The technical documentation is managed by:

Lehner Lifttechnik GmbH
Salling 8,
4724 Neukirchen am Walde, Austria

This declaration becomes invalid if the machine is modified or altered or if the provisions of the "Stratos - User Manual" are not observed.

Lehner Christian
Managing Director

Neukirchen am Walde,
03.04.2023

13 DUTIES OF THE PLATFORM LIFT OPERATOR

If prescribed, the system may only be put into operation after acceptance by a civil technical expert and presentation of a defect-free expert report! Otherwise, safe operation cannot be guaranteed!

Always make sure that an instructed person is available next to the user. The user must be able to reach this person easily in order to ensure that he/she can be rescued in an emergency (e.g. technical defect).

If an emergency call system for summoning help is installed, it must be checked regularly, but at least once a week, to ensure that it is functioning properly.

If external help is summoned (e.g. by telephone), an access possibility for the summoned help personnel must be created.

The system operator is obliged to ensure adequate maintenance of the system. It is therefore of particular importance that a scheduled maintenance service is established with a maintenance company before the platform lift is put into operation.

Maintenance must be entrusted to competent persons to ensure the comprehensive safety of the platform lift. General maintenance instructions can be found in the relevant chapter of this operator's manual.

The use of the system must be strictly limited to the specified purpose.

The user manual shall be kept in a suitable place which is accessible to all authorised persons in case of need.

Safe access to the building and the platform lift must be always ensured, especially for emergencies, to carry out maintenance work or inspections.

Irregularities during operation or emergency situations must be reported immediately to the maintenance company. In addition, the maintenance company must be informed of all changes to the building and the system that could affect operation.

14 REQUIREMENTS FOR THE MAINTENANCE COMPANY

A maintenance company in the sense of this manual, which meets all requirements, must fulfil the following points:

- A maintenance company must have sufficient qualified personnel for maintenance work and troubleshooting.
- Maintenance personnel must have appropriate training and experience in the area being used.
- Regular training and further education of these personnel must be ensured.
- The maintenance company must provide the operator with a maintenance plan adapted to the system to ensure the greatest possible availability and safety of the system.
- The maintenance company must take the plant-specific maintenance work into account in its maintenance plan and ensure that this work is carried out.
- The company and their maintenance staff must have sufficient technical equipment to carry out all required activities safely.
- The maintenance company must have all necessary original spare parts quickly available at all times.
- The maintenance company must inform the operator about the condition of the system and about any repair work.
- The maintenance company, in cooperation with the operator, must ensure the observation of the system in order to detect changes in the operating behaviour and to initiate necessary maintenance or repair work.
- The maintenance company must have appropriate and sufficient insurance cover.
- The maintenance company must record every intervention that occurred due to a fault.

