

Orona 3G

2016

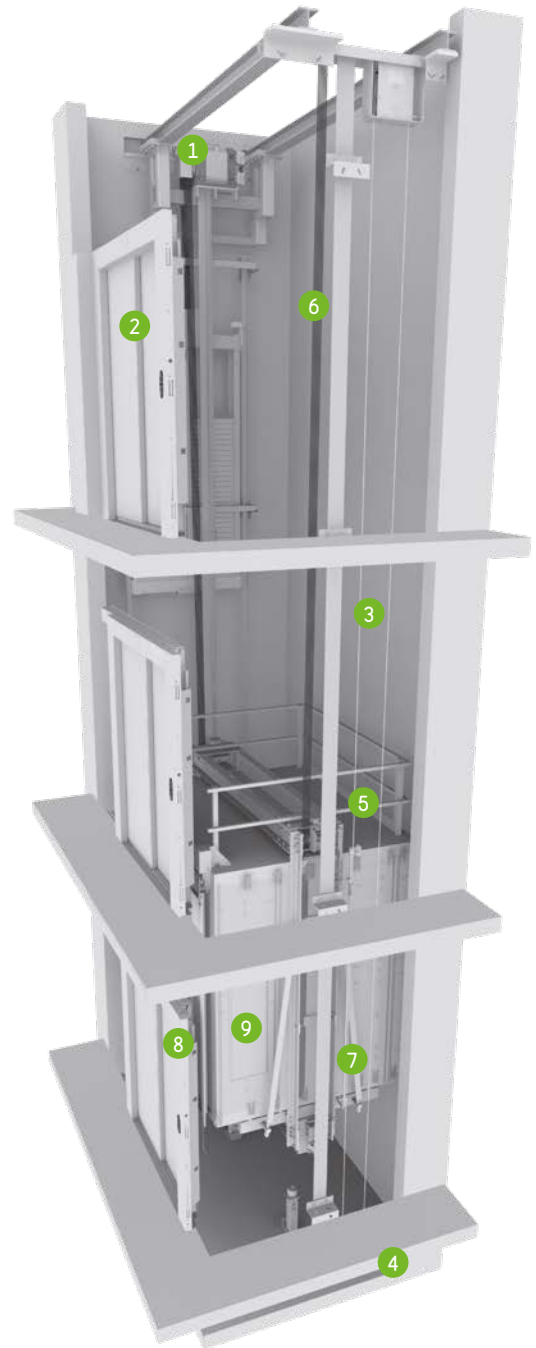
Machine-room-less electrical gearless solutions (MRLG)

High efficiency for public buildings.
Maximum durability, comfort, and reliability.
The solution with maximum robustness and comfort for the most demanding environments and specifications.

General specifications

Load	630 to 1,600 kg
Capacity	8 to 21 persons
Speed	1 - 1.6 m/s
Maximum travel	50 - 75 m
Maximum floors served	32 floors
Entrances	1 front / 2 open through
Drive system	Direct gearless
Controller	ARCA II / III controller, low energy consumption multiprocessor
Door types	Automatic side-opening / Automatic central-opening
Clear door opening	From 800 to 1,600 mm (in 100 mm increments)
Door height	2,000 / 2,100 / 2,200 / 2,300 mm
Car dimensions	Parametric car dimensions
Internal car height	2,100 / 2,200 / 2,300 / 2,400 mm
Aesthetic solutions	PR1 / PR2 / PR3 / PR4 / PR5 PS1 / PS2 / PS3 / PS4 / PS5 / PS6 / PS7 / PS8 / PS9 / Orona 3G Public Plus

Standard Optional



1 DRIVE

Compact, quiet, gearless, energy efficient, speed regulated (VVVF) permanent magnet electric motor.



2 SOLID DOORS

Extra robust doors with reduced sound levels inside and outside the lift and which are specially constructed for high volume passenger traffic.



3 PARAMETRIC/FLEXIBLE

Flexible car and door configurations ensure available shaft dimensions can be optimised (optional).



4 ACCESSIBLE SPACE BELOW THE PIT

Adapts the lift to suit buildings which have an accessible space below the pit (optional).



5 ROBUST LIFT CAR

Provides greater comfort during lift travel, with reduced vibration and noise.



6 TRACTION ROPES

Orona small diameter ropes replace traditional steel ropes. As a result of their lighter weight, longer lifespan and greater flexibility, it is possible to use a more compact, efficient and eco-friendly gearless machine.



7 CARS

Reinforced wall panels and flooring provides durability for heavy duty usage. Flexible configurations offering optimum car and door dimensions.



8 AUTOMATIC RESCUE SYSTEM

With floor level indication to ensure fast, efficient and safe evacuation of passengers in the event of an emergency. As an option, the system can incorporate a fully-automatic rescue device to evacuate passengers in the event of a power failure.



9 TWO-WAY COMMUNICATIONS

Between the lift and the emergency 24-hour Service Call Centre according to EN 81-28.



ECO-EFFICIENCY



ADAPTABILITY



DESIGN AND ACCESSIBILITY



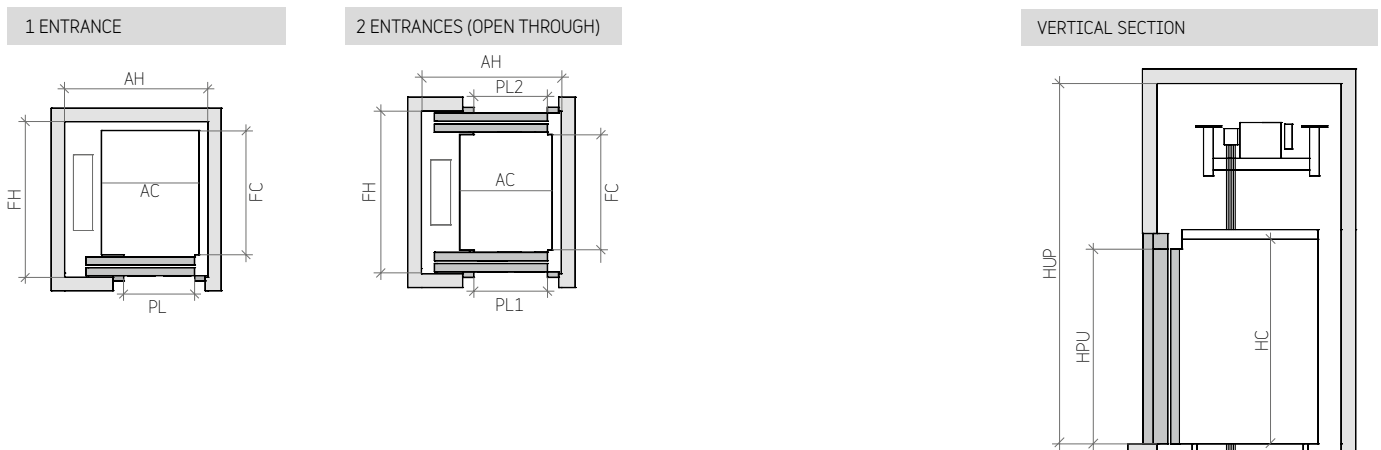
CONTROL AND SAFETY

Standard dimensions*

Load/Capacity			Car			Lift shaft ⁰							
Speed	Persons	Q Load	AC Width	FC Depth	PL Clear opening	Entrances		Side-opening doors		Central-opening doors		HF Pit	HUP ⁴ Headroom
						Accessibility	No. of entrances	AH ¹ Width	FH ² Depth	AH Width	FH ³ Depth		
1 m/s	8	630 kg	1,100	1,400	900	♿	1	1,700	1,675	1,950	1,625	1,050	3,550
	10	800 kg	1,350	1,400	900		2 x 180 ⁰		1,850		1,750		
							1	1,675	1,625				
	13	1,000 kg	1,600	1,400	1,000		2 x 180 ⁰	1,850	1,750				
							1	1,675	1,625				
17	1,275 kg	1,200	2,300	1,100	2 x 180 ⁰	1,850	1,750						
					1	2,375							
1.6 m/s	21	1,600 kg	1,700	1,950	1,000	♿♿	1	2,085	2,700	2,450	2,200	1,150	3,600
			1,400	2,400	1,200		2 x 180 ⁰		2,850		2,300		
	8	630 kg	1,100	1,400	900		1	1,725	1,675	1,950	1,625		
							2 x 180 ⁰		1,850		1,750		
	10	800 kg	1,350	1,400	900		1	1,975	1,675	1,975	1,625		
2 x 180 ⁰						1,850	1,750						
13	1,000 kg	1,600	1,400	1,000	1	2,225	1,675	2,225	1,625				
					2 x 180 ⁰		1,850		1,750				
17	1,275 kg	1,200	2,300	1,100	1	1,775	2,375						
					2 x 180 ⁰		2,550						
21	1,600 kg	1,700	1,950	1,000	♿♿♿	1	1,935	2,600	2,450	2,200	1,250	3,750	
		1,400	2,400	1,200		2 x 180 ⁰		2,750		2,300			
	8	630 kg	1,100	1,400		900	1	2,085	2,700				
							2 x 180 ⁰		2,850				
	10	800 kg	1,350	1,400		900	1	1,975	1,675				
2 x 180 ⁰					1,850								
13	1,000 kg	1,600	1,400	1,000	1	2,225	1,675						
					2 x 180 ⁰		1,850						
17	1,275 kg	1,200	2,300	1,100	1	1,775	2,375						
					2 x 180 ⁰		2,550						

- 0 Minimum plumb measurements
 - 1 Accessible space below the pit (counterweight with safety gear) add 50 mm to AH
 - 2 Shaft depth with door tracks projecting 60 mm on the landing
 - 3 Shaft depth with door tracks projecting 40 mm on the landing
 - 4 Minimum HUP for internal car height (HC) of 2,100 mm
- *The information is not contractually binding and is subject to the conditions of the shaft

Layout



Customised car dimensions

		Car width										Clear door opening												
		21	20	18	17	16	15	14	13	12	11	10	9	8	2,100	2,000	1,900	1,800	1,700	1,600	1,500	1,400	1,300	1,200
21	21	20	19	18	17	16	15	14	13	12	11	10	9	8	800	900	1,000	1,100	1,200	1,300	1,400	1,500	1,600	
20	19	18	17	16	15	14	13	12	11	10	9	8	8	8										
19	18	17	16	15	14	13	12	11	10	9	8	8	8	8										
18	17	16	15	14	13	12	11	10	9	8	8	8	8	8										
17	16	15	14	13	12	11	10	9	8	8	8	8	8	8										
16	15	14	13	12	11	10	9	8	8	8	8	8	8	8										
15	14	13	12	11	10	9	8	8	8	8	8	8	8	8										
14	13	12	11	10	9	8	8	8	8	8	8	8	8	8										
13	12	11	10	9	8	8	8	8	8	8	8	8	8	8										
12	11	10	9	8	8	8	8	8	8	8	8	8	8	8										
11	10	9	8	8	8	8	8	8	8	8	8	8	8	8										
10	9	8	8	8	8	8	8	8	8	8	8	8	8	8										
9	8	8	8	8	8	8	8	8	8	8	8	8	8	8										
8	8	8	8	8	8	8	8	8	8	8	8	8	8	8										

Note: Car width and depth variable in increments of 5 mm.
For simplification, table samples show increments of 100 mm.